



SERIES H1021 2pc Gas Stop

Howell 2-Piece H1021 Gas Stop

SPECIFICATIONS:

- Forged Brass Body
- Double O-Ring Packing
- 600 PSI WOG
- Threaded Ends

CSA APPROVED

- ½ PSI – CGA 9.1 / ANSI Z21.15
- 5 PSI – CGA CR91-002 / ASME B16.44



HOW TO ORDER:

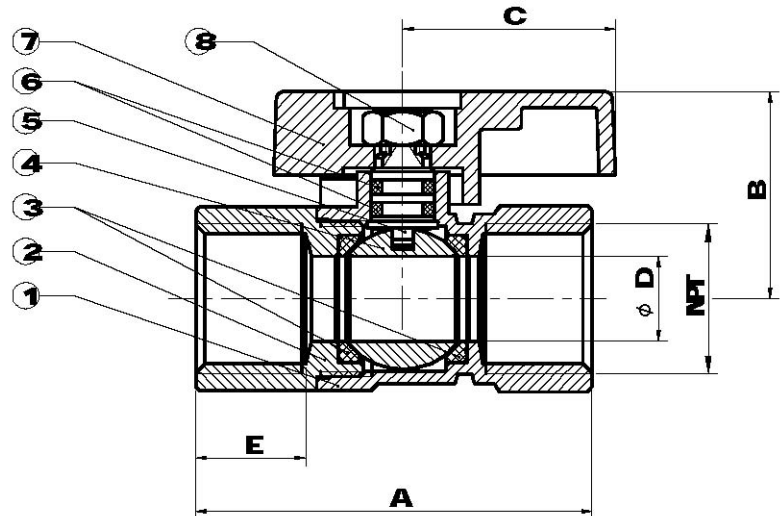
Series - Body - Ends - Size
H1021 BR IP

Sample Part# and Description:

H1021-BR-IP-12
H1021 BRASS IP LEVER GAS
STOP 1/2"

MATERIALS LIST:

Item	Part	For Brass Valve	Quantity
1	Body	Forged Brass ASTM C37700	1
2	End Cap	Forged Brass ASTM C37700	1
3	Seat	PTFE	2
4	Ball	Brass ASTM C37700, Chrome Plated	1
5	Stem	Brass ASTM C37700	1
6	O-Ring	Buna-N (NBR)	1
7	Handle	Aluminum	1
8	Stem Nut	Nickel Plated Steel	1



DIMENSIONS:

SIZE	A		B		C		D		E	
	IN	MM	IN	MM	IN	MM	IN	MM	IN	MM
3/8"	1.91	48.4	1.14	28.9	1.19	30.1	0.39	10.0	0.51	13.0
1/2"	2.21	56.1	1.19	30.3	1.19	30.1	0.47	12.0	0.61	15.5
3/4"	2.45	62.2	1.26	32.0	1.19	30.1	0.59	15.0	0.67	17.0
1"	2.76	70.0	1.36	34.6	1.19	30.1	0.75	19.0	0.71	18.0

Howell reserves the right to alter design specifications without notice



Head Office:
Phone: 888 HOWELLS (469-3557)
Fax: 866-469-3550
Email: sales@howellvalve.com
www.howellvalve.com



SERIES H1022 2pc Gas Stop

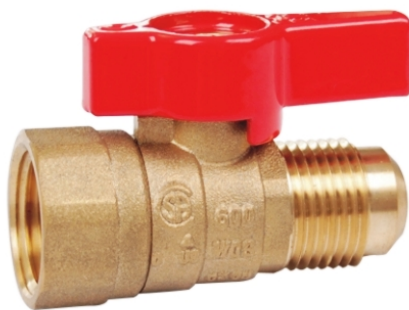
Howell 2-Piece H1022 Gas Stop

SPECIFICATIONS:

- Forged Brass Body
- Double O-Ring Packing
- 600 PSI WOG
- Threaded x Flare Ends

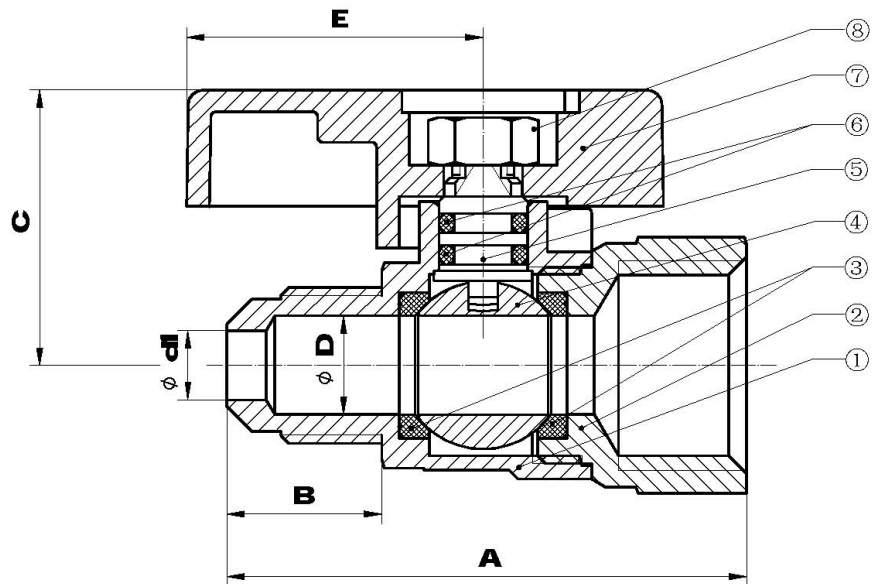
CSA APPROVED

- ½ PSI – CGA 9.1 / ANSI Z21.15
- 5 PSI – CGA CR91-002 / ASME B16.44



MATERIALS LIST:

Item	Part	For Brass Valve	Quantity
1	Body	Forged Brass ASTM C37700	1
2	End Cap	Forged Brass ASTM C37700	1
3	Seat	PTFE	2
4	Ball	Brass ASTM C37700, Chrome Plated	1
5	Stem	Brass ASTM C37700	1
6	O-Ring	Buna-N (NBR)	1
7	Handle	Aluminum	1
8	Stem Nut	Nickel Plated Steel	1



DIMENSIONS:

SIZE	A		B		C		d1		D		E	
	IN	MM	IN	MM	IN	MM	IN	MM	IN	MM	IN	MM
1/2x3/8"	2.11	53.7	0.62	15.7	1.14	28.9	0.28	7.1	0.39	10.0	1.19	30.1
1/2x1/2"	2.32	59.0	0.75	19.0	1.14	28.9	0.39	10.0	0.39	10.0	1.19	30.1
1/2x5/8"	2.52	64.0	0.88	22.3	1.30	32.9	0.50	12.7	0.59	15.0	1.19	30.1
3/4x5/8"	2.66	67.6	0.88	22.3	1.30	32.9	0.50	12.7	0.59	15.0	1.19	30.1

HOW TO ORDER:

Series - Body - Ends - Size
H1022 BR IPxFL

Sample Part# and Description:

H1022-BR-IPxFL-12x3/8

H1022 BRASS IPxFLARE LEVER
GAS STOP 1/2x3/8"

Howell reserves the right to alter design specifications without notice



Head Office:
Phone: 888 HOWELLS (469-3557)
Fax: 866-469-3550
Email: sales@howellvalve.com
www.howellvalve.com