

# Howell 2-Piece Full Port Ball Valve

## **SPECIFICATIONS:**

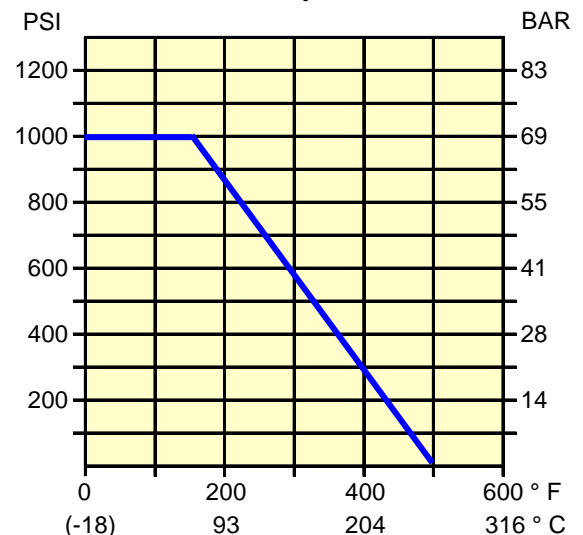
- Stainless Steel body
  - Excellent corrosion resistance
- Full Port Design, 1000 PSI
  - Minimal pressure drop
- Threaded Ends
- Blowout Proof Stem for Safety
- Adjustable Packing Gland
- Solid Ball Construction
- Pressure Balanced Ball
- Stainless Locking Lever Handle
  - Ability to lock valve in open or closed position
- Material Traceability
- Size Range: ¼" to 3"

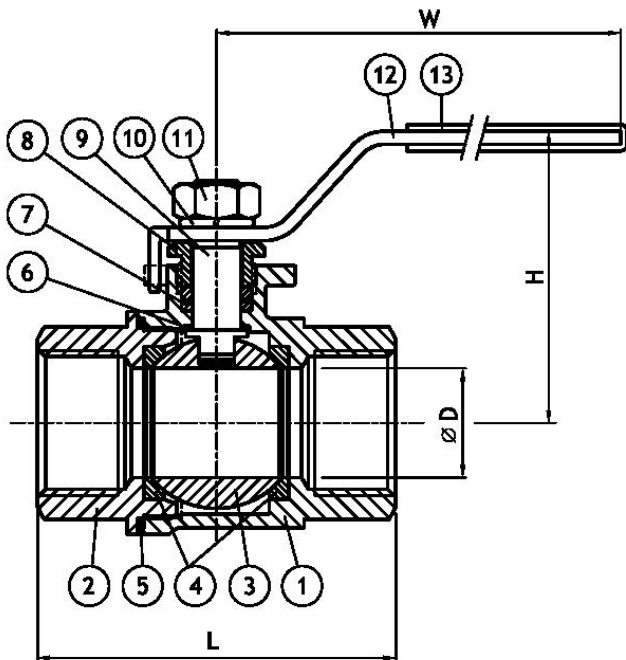


## **STANDARDS:**

CRN Registered  
Conforms to MSS SP-110  
NACE – MR0175  
EN1024 – DIN 50-049-3.1B  
CE Approved for Europe  
Valve Testing – API 598, MSS SP 61

**Pressure & Temperature Chart**





### MATERIALS LIST:

Item	Part	For Stainless Steel Valve	Qty
1	Body	ASTM A351 CF8M	1
2	End Cap	ASTM A351 CF8M	1
3	Ball	ASTM A351 CF8M	1
4	Seat	RPTFE	2
5	Joint Gasket	PTFE	1
6	Thrust Washer	PTFE	1
7	Stem Packing	PTFE	1
8	Gland Nut	304 SS	1
9	Stem	316 SS	1
10	Stem Washer	304 SS	1
11	Stem Nut	304 SS	1
12	Handle	304 SS	1
13	Handle Grip	Vinyl	1
14	Locking Device	304 SS	1

### DIMENSIONS:

SIZE	D		H		L		W	
	IN	MM	IN	MM	IN	MM	IN	MM
1/4"	0.5	12	2.2	56	1.9	49	4.3	108
3/8"	0.5	13	2.2	56	1.9	49	4.3	108
1/2"	0.6	15	2.3	59	2.3	58	4.3	108
3/4"	0.8	20	2.4	62	2.6	65	4.3	108
1"	1.0	25	2.7	68	3.0	77	5.1	130
1-1/4"	1.3	32	3.5	88	3.5	90	5.1	130
1-1/2"	1.5	38	3.9	100	3.9	98	6.0	152
2"	2.0	50	4.3	108	4.7	120	7.2	182
2-1/2"	2.6	65	4.9	125	5.7	145	8.7	220
3"	3.1	80	5.4	136	6.4	162	9.8	250

Estimated Cv Values		Valve Weights	
Size	Cv Value	Size	(KG) (LB)
1/4"	15	1/4"	0.2 0.5
3/8"	15	3/8"	0.2 0.5
1/2"	15	1/2"	0.3 0.6
3/4"	38	3/4"	0.4 0.9
1"	65	1"	0.6 1.4
1-1/4"	118	1-1/4"	0.9 2.1
1-1/2"	195	1-1/2"	1.8 4.0
2"	320	2"	2.5 5.6
2-1/2"	410	2-1/2"	5.1 11.4
3"	640	3"	7.9 17.4



## HOW TO ORDER:

1	SERIES	2	- BODY	3	- ENDS	4	- SEAT	5	- SIZE
H2	Howell Two Piece	SS	Stainless Steel	IP	Threaded	R	RPTFE *	12	1/2"
						T	PTFE	34	3/4"
								1	1"
								112	1-1/2"
								2	2"
								212	2-1/2"
								3	3"

\* RPTFE Seats are Standard

Sample Part# and Description  
 Howell Part# Description  
 H2-SS-IP-R-112 H2 2PC SS IP RPTFE FP BALL 1-1/2"