



Howell 2-Piece Full Port Brass Ball Valve

1-888-469-3557 · sales@howellpipe.com

HQ105 Series

SPECIFICATION:

- ◆ Forged Brass Body
- ◆ Full Port Design
- ◆ 600 PSI WOG for ½" – 2"
- ◆ 400 PSI WOG for 2-1/2" – 4"
- ◆ 150 PSI Saturated Steam
- ◆ Blowout Proof Stem for Safety
- ◆ Solder Ends
- ◆ Size Range: ½" – 4"



Valve Standards:

FM Approved:

- ◆ FM-1140 – Quick Opening Valves (1/4 – 2")

NSF Approved:

- ◆ NSF 61 Section 8 Certified

How to Order:

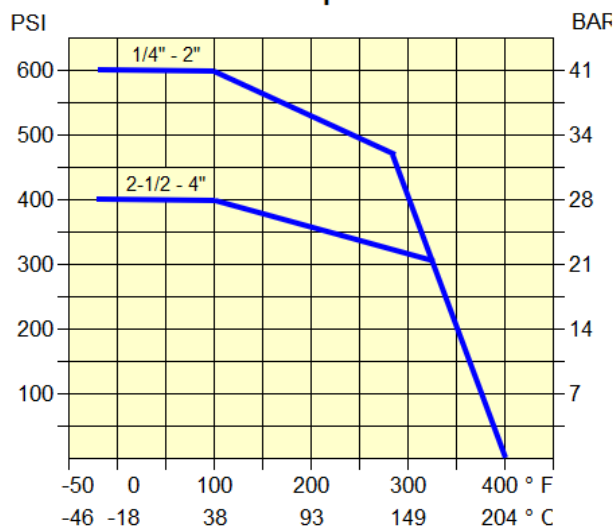
Series - **Body** - **Ends** - **Size**
HQ105 - BR - CC

Sample Description and Part# :

HQ105-BR-CC-112

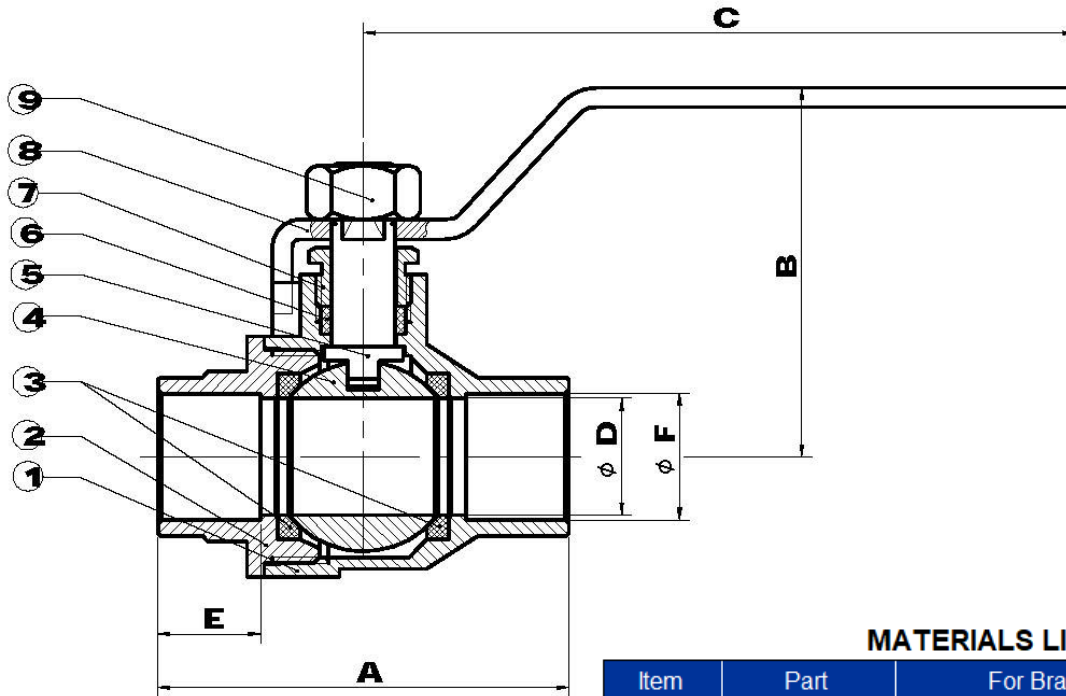
Howell 2pc BRASS CxC BALL VALVE 1-1/2"

Pressure & Temperature Chart



Howell 2-Piece Full Port Brass Ball Valve

HQ105 Series



MATERIALS LIST:

Item	Part	For Brass Valve	Quantity
1	Body	Forged Brass ASTM C37700	1
2	End Cap	Forged Brass ASTM C37700	1
3	Seat	PTFE	2
4	Ball	Brass ASTM C37700	1
5	Stem	Brass ASTM C37700	1
6	Stem Packing	PTFE	1
7	Gland Nut	Brass ASTM C37700	1
8	Handle	Chrome Plated Steel / Vinyl Grip	1
9	Stem Nut	Nickel Plated Steel	1

DIMENSIONS:

SIZE	A		B		C		D		E		F		Valve Weights	
	IN	MM	IN	MM	IN	MM	IN	MM	IN	MM	IN	MM	(KG)	(LB)
1/2"	2.05	52.0	1.84	46.7	3.54	90.0	0.58	14.8	0.51	13.0	0.63	16	0.2	0.4
3/4"	2.75	69.8	2.00	50.7	3.78	96.0	0.75	19.0	0.75	19.0	0.88	148	0.3	0.6
1"	3.23	82.0	2.44	62.0	4.53	115.0	0.95	24.0	0.87	22.0	1.13	178	0.4	1.0
1-1/4"	3.82	97.0	2.85	72.5	4.53	115.0	1.26	32.0	0.97	24.7	1.38	178	0.6	1.4
1-1/2"	4.43	112.4	3.47	88.1	5.51	140.0	1.58	40.0	1.10	27.9	1.63	41	1.0	2.2
2"	5.32	135.0	3.45	87.6	5.51	140.0	1.97	50.0	1.35	34.2	3.13	80	1.4	3.1
2-1/2"	6.28	159.6	4.76	121.0	8.66	220.0	2.52	64.0	1.48	37.5	2.63	178	3.0	6.6
3"	7.15	181.6	5.08	129.0	8.66	220.0	2.95	75.0	1.67	42.5	3.13	80	3.9	8.5
4"	9.28	235.6	5.87	149.0	9.61	244.0	3.90	99.0	2.17	55.0	4.13	105	7.6	16.7

Howell reserves the right to alter design specifications without notice