



SERIES H61 3pc SANITARY

Howell 3-Piece SANITARY Ball Valve

Easy to Actuate

SPECIFICATIONS:

- Stainless Steel Body
- Full Port Design, CRN Registered to:
 - 1/2" to 2-1/2", Body – 1,000 PSI, Tri-clamp Ends – 650 PSI
 - 3" & 4", Body – 800 PSI, Tri-clamp Ends – 340 PSI
- Tri-clamp or Tube OD Ends
- Blowout Proof Stem for Safety
- ISO 5211 Direct Mounting Pad
- Antic-Static Device
- Live Loaded Stem Design for High Cycle Life
- Interior Wetted Parts Polished to 180 Grit RMS (0.51 to 0.64 micron)
- Complete with PTFE Cavity Filler
- Locking Lever Handle
- Silicone Free
- Material Traceability



STANDARDS:

CRN Registered, Including Ends
 Conforms to MSS SP-25
 Conforms to MSS SP-72
 EN1024 – DIN 50-049-3.1B
 CE Approved for Europe
 Valve Testing – API 598, MSS SP 61

HOW TO ORDER:

Series - **Body** - **Ends** - **Seat** - **Size**
 H61 SS TC T - PTFE

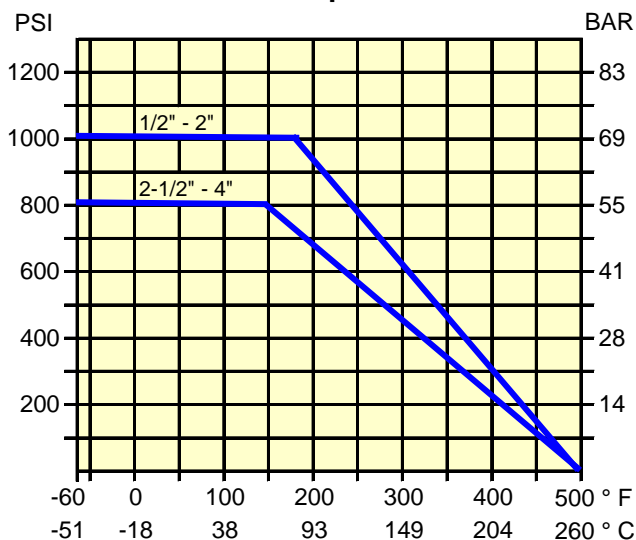
BW

Sample Description and Part# :

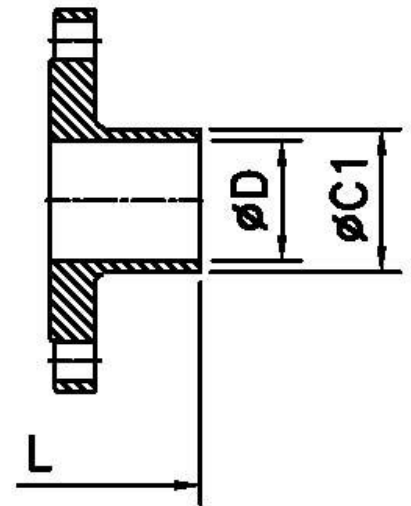
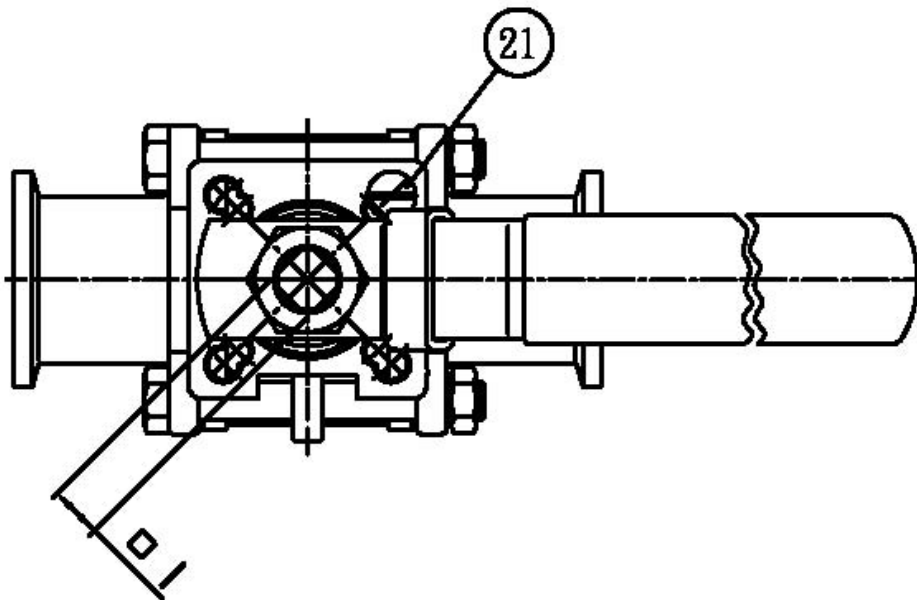
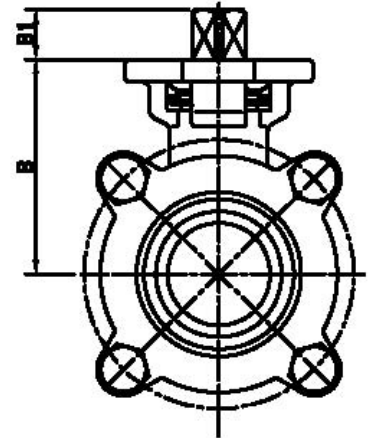
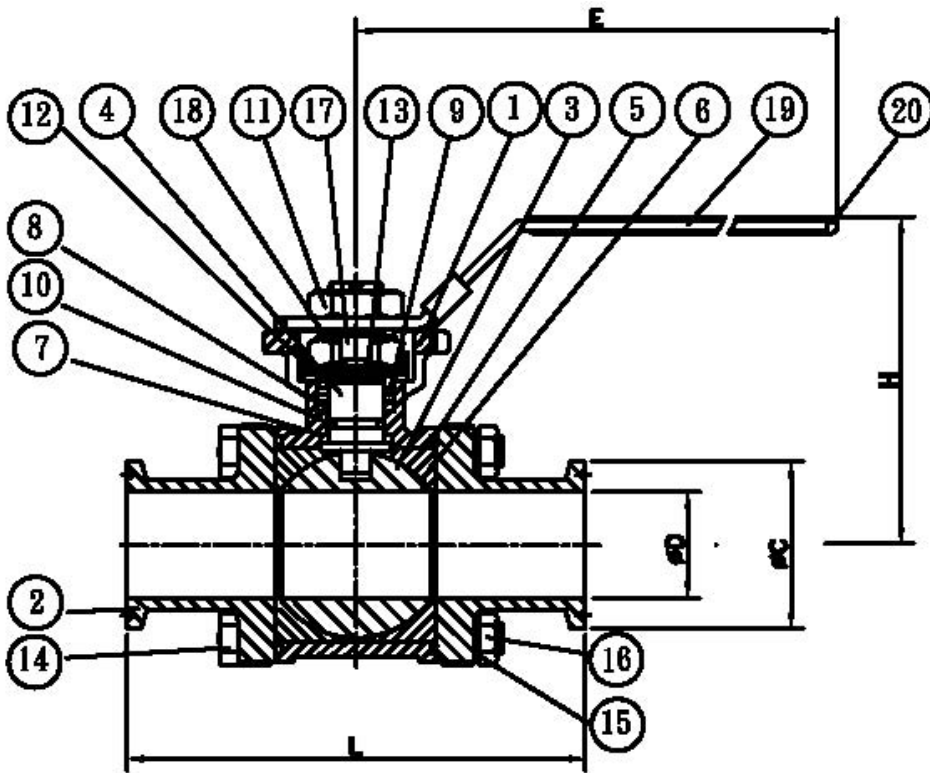
H61-SS-TC-T-112

H61 3PC SS TRICLAMP PTFE FP BALL 1-1/2"

Pressure & Temperature Chart



Head Office:
 Phone: 888 HOWELLS (469-3557)
 Fax: 866-469-3550
 Email: sales@howellvalve.com
www.howellvalve.com



Butt Weld End



SERIES H61 SANITARY

MATERIALS LIST:

Item	Part	Material	Quantity
1	Body	ASTM A351 CF8M	1
2	End Cap	ASTM A351 CF8M	2
3	Ball	316 SS	1
4	Stem	316 SS	1
* 5	Joint Gasket	PTFE	2
* 6	Seat	PTFE	2
* 7	Stem Seal	R-PTFE	1
* 8	V-Ring Packing	PTFE	1 set
9	Bushing	50% SS Powder filled PTFE	1
* 10	O-Ring	Viton	1
11	Stem Nut	304 SS	2
12	Gland	304 SS	1
13	Belleville Washer	301 SS	2
14	Bolts	304 SS	1/4" to 2" - 4pcs of bolts; 2-1/2" to 4" - 6pcs of studs
15	Bolt Washers	304 SS	1/4" to 2" - 4pcs; 2-1/2" to 4" - 12pcs
16	Bolt Nuts	304 SS	1/4" to 2" - 4pcs; 2-1/2" to 4" - 12pcs
* 17	Lock Saddle	304 SS	1
18	Washer	304 SS	1
19	Handle	304 SS	1
20	Handle Grip	Vinyl	1
21	Stop Pin	304 SS	1

* included in repair kit

DIMENSIONS:

SIZE	B		B1		∅ C		∅ C1		∅ D		E		H		□ I		L		ISO5211 (F)
IN	IN	MM	IN	MM	IN	MM	IN	MM	IN	MM	IN	MM	IN	MM	IN	MM	IN	MM	
1/2"	1.58	40.2	0.35	9.0	0.98	25.0	0.50	12.7	0.37	9.5	5.0	128	2.76	70	0.35	9	3.50	89	F03-F04
3/4"	1.71	43.4	0.35	9.0	0.98	25.0	0.75	19.1	0.63	15.9	5.0	128	2.87	73	0.35	9	3.98	101	F03-F04
1"	2.05	52.0	0.43	11.0	1.98	50.4	1.00	25.4	0.87	22.2	6.5	166	3.35	85	0.43	11	4.49	114	F04-F05
1-1/2"	2.59	65.7	0.61	15.5	1.98	50.4	1.50	38.2	1.38	35.0	8.6	219	3.86	98	0.55	14	5.51	140	F05-F07
2"	2.91	73.9	0.61	15.5	2.54	64.5	2.00	50.8	1.87	47.6	8.6	219	4.17	106	0.55	14	6.14	156	F05-F07
2-1/2"	3.66	93.0	0.65	16.5	3.06	77.7	2.50	63.4	2.37	60.2	12.7	322	5.63	143	0.67	17	7.76	197	F07-F10
3"	4.02	102.0	0.65	16.5	3.58	90.9	3.00	76.2	2.87	73.0	12.7	322	6.02	153	0.67	17	9.02	229	F07-F10
4"	5.20	132.0	0.85	21.5	4.68	118.9	4.00	101.6	3.83	97.4	12.8	324	7.28	185	0.87	22	9.49	241	F10

Break Away Torques

Size	(in/lbs)
1/2"	80
3/4"	106
1"	230
1-1/2"	283
2"	620
2-1/2"	867
3"	1221
4"	1832

Estimated Cv Values

Size	Cv Value
1/2"	18
3/4"	42
1"	74
1-1/2"	210
2"	380
2-1/2"	645
3"	890
4"	1620

Valve Weights

Size	(KG)	(LB)
1/2"	0.6	1.4
3/4"	0.8	1.8
1"	1.3	2.8
1-1/2"	3.0	6.7
2"	4.4	9.7
2-1/2"	8.8	19.4
3"	11.8	26.0
4"	20.9	46.0