

Howell MULTI-PORT Socket Weld & Threaded Ball Valve


 Easy to Actuate

SPECIFICATIONS:

- Multi-Port, 3-Way and 4-Way
- Available in L-Port, T-Port, & X-Port
- Stainless Steel Body
- Full Port Design, 1000 PSI
- Four Piece Seat Design
- Socket Weld or Threaded Ends
- Blowout Proof Stem for Safety
- ISO 5211 Direct Mounting Pad
- Anti-Static Device Option
- Live Loaded Stem Design for High Cycle Life
- Silicone Free
- Material Traceability
- Size Range: ½" to 4"



STANDARDS:

ASME – B16.34

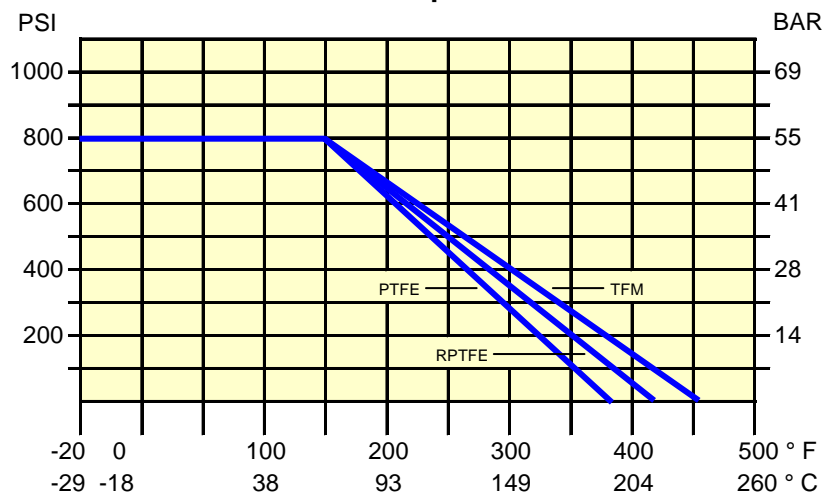
NACE – MR0175

EN1024 – DIN 50-049-3.1B

CE Approved for Europe

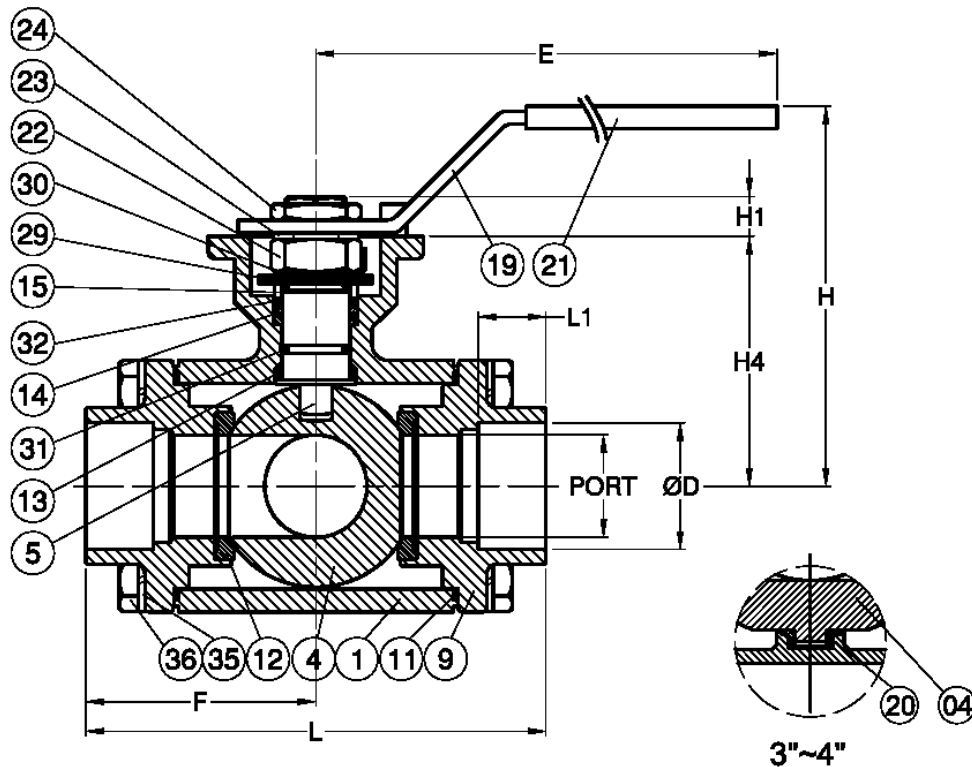
Valve Testing – API 598, MSS SP 61

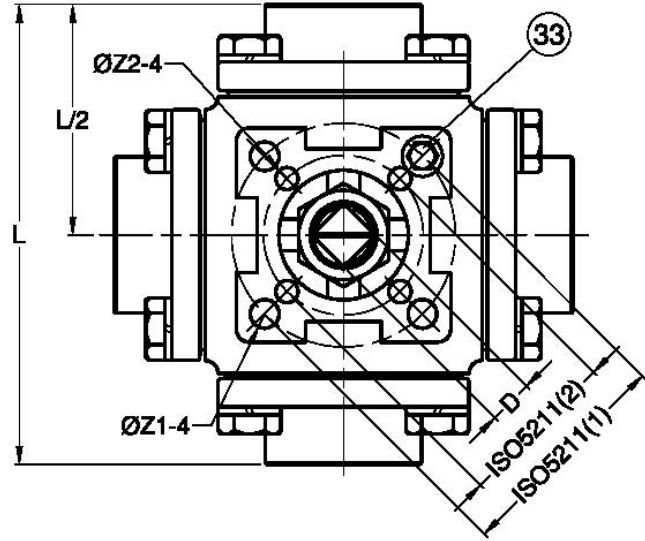
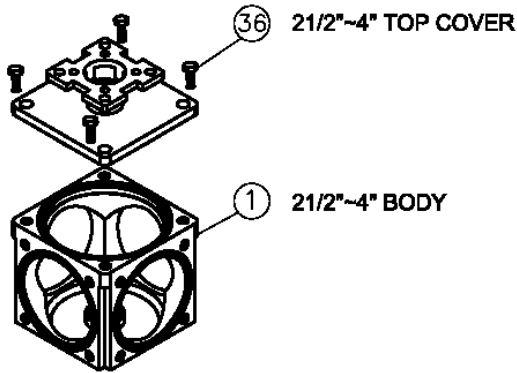
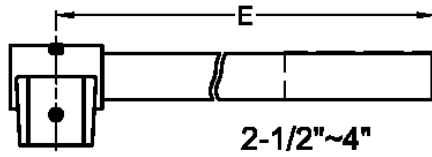
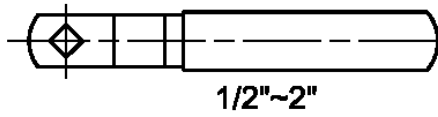
Pressure & Temperature Chart



MATERIALS LIST:

Item	Part	Material	Quantity
1	Body	ASTM A351 CF8M	1
4	Ball	ASTM A351 CF8M	1
5	Stem	316 SS	1
9	End Cap	ASTM A351 CF8M	4
11	Body Seal	PTFE	4
12	Seat	RPTFE	4
13	Thrust Washer	RPTFE	1
14	Stem Packing	RPTFE	1 set
15	Gland	304 SS	1
19	Handle	304 SS	1
20	Bushing	PTFE	1
21	Handle Grip	Vinyl	1
22	Stem Nut	304 SS	1
23	Handle Washer	304 SS	1
24	Handle Nut	304 SS	1
29	Belleville Washer	410 SS	2
30	Stop Washer	304 SS	1
31	O-Ring	Viton	1
32	Packing Follower	RPTFE / 25% G.F.	1
33	Stop Pin	304 SS	1 set
35	Bolt	304 SS	16
36	Bolt Washer	304 SS	16




DIMENSIONS:

SIZE	PORT		Ø D *		L		L1 *		E		F	
	IN	MM	IN	MM	IN	MM	IN	MM	IN	MM	IN	MM
1/2"	0.6	16	0.9	21.8	3.8	96.0	0.4	10	7.3	186.5	1.9	48.0
3/4"	0.8	20	1.1	27.4	4.2	107.0	0.5	13	8.6	218.0	2.1	53.5
1"	1.0	25	1.3	34.1	5.0	126.0	0.5	13	8.6	218.0	2.5	63.0
1-1/4"	1.3	32	1.7	42.7	5.2	133.0	0.5	13	9.3	235.0	2.6	66.5
1-1/2"	1.5	38	1.9	49.0	5.9	151.0	0.5	13	9.3	235.0	3.0	75.5
2"	2.0	50	2.4	61.0	6.5	166.0	0.6	16	9.9	252.0	3.3	83.0
2-1/2"	2.6	65	3.0	77.0	6.9	175.0	0.6	16	11.9	302.0	3.4	87.5
3"	3.0	76	3.6	90.2	8.3	210.0	0.6	16	11.9	302.0	4.1	103.6
4"	3.9	100	3.0	77.0	11.2	285.6	0.9	22	23.6	600.0	5.6	142.8

SIZE	H		H1		H4		D		Z1		Z2		ISO 5211
	IN	MM	IN	MM	IN	MM	IN	MM	IN	MM	IN	MM	
1/2"	3.5	89.0	0.4	9.0	1.9	47.8	0.4	9.0	0.2	6.0			F04
3/4"	3.9	98.0	0.4	11.0	2.3	58.2	0.4	11.0	0.3	7.0			F05
1"	4.0	102.0	0.5	11.5	2.5	64.0	0.4	11.0	0.3	7.0			F05
1-1/4"	4.7	118.5	0.6	15.2	3.1	79.0	0.6	14.0	0.4	9.0	0.3	7.0	F05-F07
1-1/2"	5.0	127.0	0.6	14.3	3.5	88.5	0.6	14.0	0.4	9.0	0.3	7.0	F05-F07
2"	5.5	139.0	0.7	17.8	4.2	105.8	0.7	17.0	0.4	11.0	0.4	9.0	F07-F10
2-1/2"	6.5	165.7	0.7	17.5	4.6	117.3	0.7	17.0	0.4	11.0	0.4	9.0	F07-F10
3"	6.7	170.0	0.7	17.5	5.0	128.0	0.7	17.0	0.4	11.0	0.4	9.0	F07-F10
4"	6.7	170.0	1.2	30.0	8.1	205.0	1.1	27.0	0.0		0.6	14.0	F12

Break Away Torques		Estimated Cv Values			Valve Weights				
Size	(in/lbs)	Size	L PORT	T PORT	Size	3-Way (KG)	3-Way (LB)	4-Way (KG)	4-Way (LB)
1/2"	87	1/2"	8	11	1/2"	1.8	3.9	2.0	4.4
3/4"	156	3/4"	22	31	3/4"	2.6	5.6	2.9	6.4
1"	262	1"	39	55	1"	4.0	8.8	4.5	9.9
1-1/4"	494	1-1/4"	55	78	1-1/4"	5.4	11.9	6.0	13.3
1-1/2"	694	1-1/2"	71	101	1-1/2"	8.4	18.4	9.3	20.6
2"	1425	2"	163	233	2"	10.6	23.3	11.8	25.9
2-1/2"	1991	2-1/2"	217	310	2-1/2"	22.6	49.8	24.4	53.8
3"	2168	3"	393	562	3"	32.0	70.5	35.3	77.8
4"	2655	4"	630	840	4"	41.1	90.6	44.8	98.8

FLOW PATTERNS

POSITION	1	2	3	4
L PORT 3-WAY				
T PORT 3-WAY				
L PORT 4-WAY				
T PORT 4-WAY				
X PORT 4-WAY				



HS2H SERIES

HOW TO ORDER:

1 SERIES	
HS2H	Howell Multiport

2 - PORT STYLE	
3L	3-Way L-Port
3T	3-Way T-Port
4L	4-Way L-Port
4T	4-Way T-Port
4X	4-Way X-Port

3 - BODY	
SS	Stainless Steel

4 - ENDS	
IP	Threaded
SW	Socket Weld

5 - SEAT	
R	RPTFE *
M	TFM (Modified TFE)
S	50/50 Stainless/TFE
T	PTFE

* RPTFE Seats are Standard

6 - SIZE	
12	1/2"
34	3/4"
1	1"
114	1-1/4"
112	1-1/2"
2	2"
212	2-1/2"
3	3"
4	4"

6 - ACTUATOR	
D3	HDA-65 Pneumatic Double Acting
D4	HDA-80 Pneumatic Double Acting
D5	HDA-100 Pneumatic Double Acting
D6	HDA-125 Pneumatic Double Acting
D7	HDA-140 Pneumatic Double Acting
D8	HDA-160 Pneumatic Double Acting
D9	HDA-210 Pneumatic Double Acting
S3	HSR-65 Pneumatic Spring Return
S4	HSR-80 Pneumatic Spring Return
S5	HSR-100 Pneumatic Spring Return
S6	HSR-125 Pneumatic Spring Return
S7	HSR-140 Pneumatic Spring Return
S8	HSR-160 Pneumatic Spring Return
S9	HSR-210 Pneumatic Spring Return

Note, add "L" to prefix for low temperature actuator (-40°C).

Example:

D3L HDA-65 LT Pneumatic Double Acting

7 - ACCESSORIES / OPTIONS	
4L	Nema 4 Limit Switch
7L	Nema 7 Limit Switch
4S1	Nema 4 Namur Solenoid Valve 120vac
4S2	Nema 4 Namur Solenoid Valve 24vdc
7S1	Nema 7 Namur Solenoid Valve 120vac
7S2	Nema 7 Namur Solenoid Valve 24vdc
4S0	Nema 4 Namur Solenoid Valve special voltage
7S0	Nema 7 Namur Solenoid Valve special voltage

Contact Howell for full actuator and accessory specifications

Sample Part# and Description

HS2H-3L-SS-SW-R-112

HS2H SS SW 3-WAY RPTFE L-PORT FP BALL 1-1/2"

HS2H-3L-SS-SW-R-112-S4

HS2H SS SW 3-WAY RPTFE L-PORT FP BALL 1-1/2" CW HSR80 ACTUATOR