

Howell 3-Piece **FIRESAFE** Ball Valve

Easy to Actuate

SPECIFICATIONS:

- Available in Carbon Steel and Stainless Steel
- Full Port Design, 2000 PSI
- Threaded, Socket, or Butt Weld Ends
- Blowout Proof Stem for Safety
- ISO 5211 Direct Mounting Pad
- Anti-Static Device
- Enclosed Bolt Design
- Live Loaded Stem Design for High Cycle Life
- Locking Lever Handle
- Silicone Free
- Material Traceability
- Size Range: 1/4" to 2" in Full Port, 2-1/2" & 3" in Reduced Port



STANDARDS:

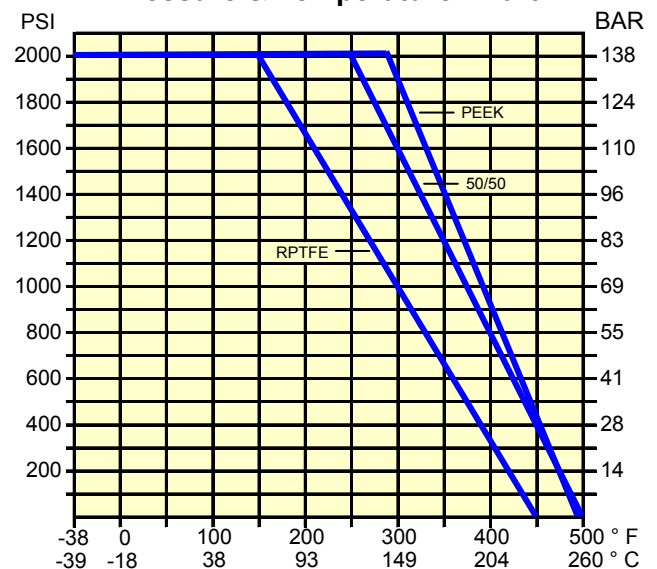
CRN Registered
 FIRESAFE – API 607 4TH Edition
 NACE – MR0175
 EN1024 – DIN 50-049-3.1B
 CE Approved for Europe
 Valve Testing – API 598, MSS SP 61

HOW TO ORDER:

<u>Series</u>	- <u>Body</u>	- <u>Ends</u>	- <u>Seat</u>	- <u>Size</u>
H35F	CS	IP	R - RPTFE*	
	SS	SW	T - PTFE	
		BW	S - 50/50 Stainless/TFE	
			P - Peek	

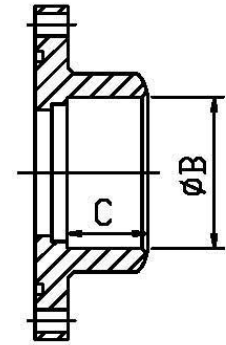
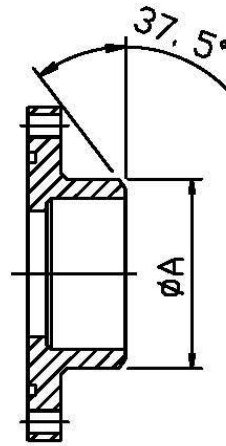
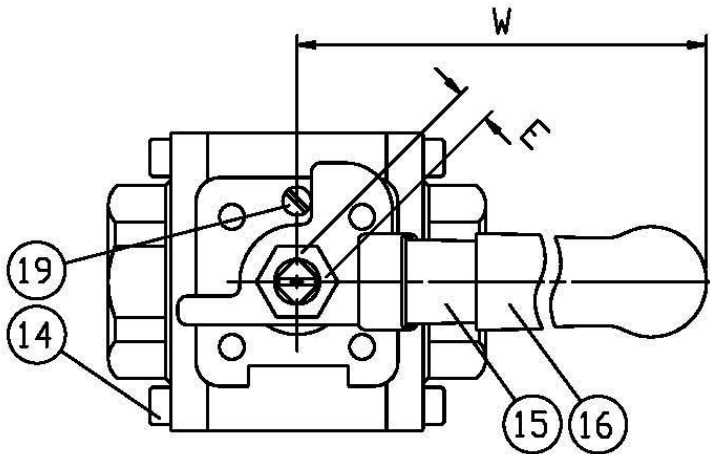
* RPTFE Seats are Standard

Pressure & Temperature Chart



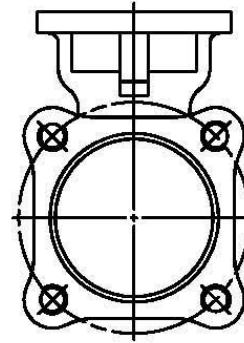
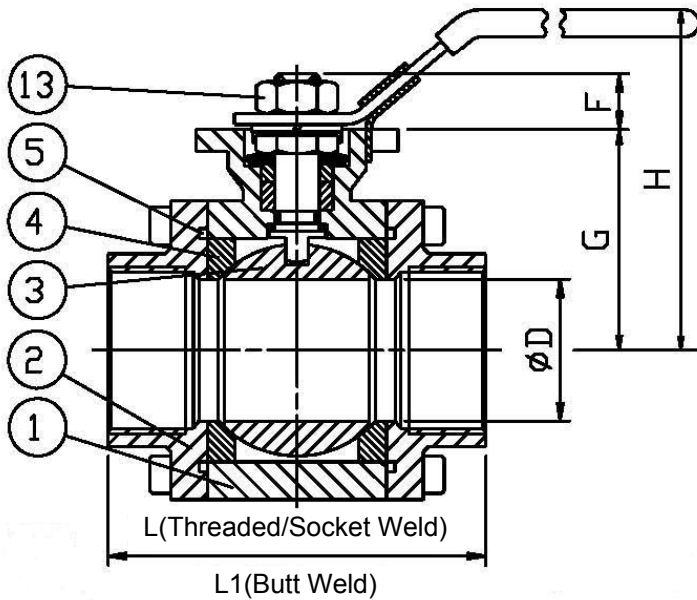
Sample Description and Part# :

H35F-SS-IP-R-2"
 H35F 3PC SS FIRESAFE IP RPTFE FP BALL 2"

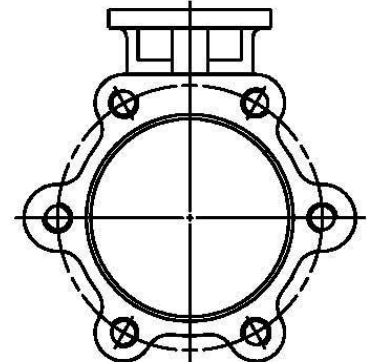


Butt Weld End

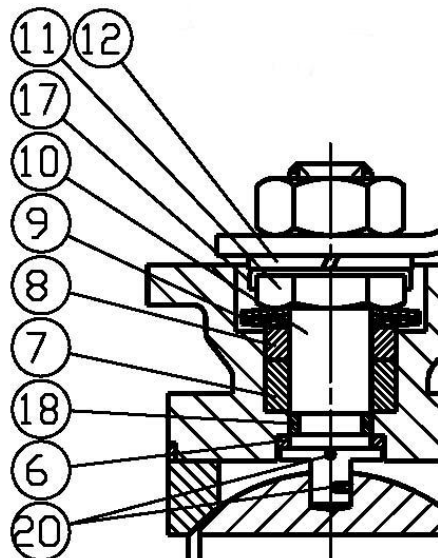
Socket Weld End



Full Port 1/4" - 1-1/2"



Full Port 2"



Anti-Static Device





H35F SERIES

MATERIALS LIST:

Item	Part	For Stainless Steel Valve	For Carbon Steel Valve	Quantity
1	Body	ASTM A351 CF8M	ASTM A216 WCB	1
2	End Cap	ASTM A351 CF8M	ASTM A216 WCB	2
3	Ball	ASTM A351 CF8M/316	ASTM A351 CF8M/304/316	1
*4	Seat	RPTFE	RPTFE	2
*5-1	Gasket	Graphite	Graphite	2
*5-2	Gasket	RPTFE	RPTFE	2
*6-1	Thrust Washer	Graphite	Graphite	1
*6-2	Thrust Washer	RPTFE	RPTFE	1
*7	Stem Packing	Graphite	Graphite	1
8	Gland	304 SS	304 SS	1
9	Belleville Washer	301 SS	301 SS	2
10	Stem	ASTM A276 316	ASTM A276 304	1
11	Packing Nut	304 SS	304 SS	1
12	Spring Washer	304 SS	304 SS	1
13	Handle Nut	304 SS	304 SS	1
14	Bolts	ASTM A193 B8	ASTM A193 B7	8-12
15	Handle	304 SS	Zinc Plated Steel	1
16	Handle Grip	Vinyl	Vinyl	1
*17	Lock Saddle	304 SS	304 SS	1
*18	O-Ring	Viton	Viton	1
19	Stopper Nut	304 SS	Carbon Steel	1
20	Anti-Satatic Device	304 SS	304 SS	1-2

* included in repair kit

DIMENSIONS:

SIZE	Ø A		Ø B		C		Ø D		E		F		G		H		L		L1		W		ISO5211 (F)
	IN	MM	IN	MM	IN	MM	IN	MM	IN	MM	IN	MM	IN	MM	IN	MM	IN	MM	IN	MM	IN	MM	
1/4"	0.54	14	0.56	14	0.39	10	0.43	11	0.35	9	0.31	8	1.47	38	2.75	70	2.55	65	2.75	70	5.51	140	F04
3/8"	0.68	17	0.69	18	0.39	10	0.43	11	0.35	9	0.31	8	1.47	38	2.75	70	2.55	65	2.75	70	5.51	140	F04
1/2"	0.85	22	0.86	22	0.51	13	0.55	14	0.35	9	0.31	8	1.47	38	2.75	70	2.95	75	2.95	75	5.51	140	F04
3/4"	1.07	27	1.07	27	0.59	15	0.80	21	0.43	11	0.43	11	1.96	52	3.54	90	3.14	80	3.54	90	7.08	180	F04-F05
1"	1.34	34	1.33	34	0.59	15	0.98	25	0.43	11	0.43	11	2.36	60	3.93	100	3.54	90	3.93	100	7.08	180	F04-F05
1-1/4"	1.68	43	1.68	43	0.59	15	1.24	32	0.55	14	0.67	17	2.83	72	4.40	112	4.33	110	4.33	110	8.46	215	F07
1-1/2"	1.91	49	1.92	49	0.63	16	1.45	37	0.55	14	0.67	17	2.99	76	4.52	115	4.72	120	4.92	125	8.46	215	F07
2"	2.38	61	2.41	61	0.67	17	1.96	50	0.55	14	0.67	17	3.66	93	5.23	133	5.51	140	5.90	150	8.46	215	F07

Break Away Torques

Size	(in/lbs)
1/4"	59
3/8"	59
1/2"	69
3/4"	172
1"	368
1-1/4"	392
1-1/2"	414
2"	460

Estimated Cv Values

Size	Cv Value
1/4"	8
3/8"	8
1/2"	17
3/4"	38
1"	56
1-1/4"	82
1-1/2"	120
2"	240

Valve Weights

Size	(KG)	(LB)
1/4"	1.1	2.4
3/8"	1.1	2.4
1/2"	1.1	2.4
3/4"	1.6	3.5
1"	2.2	4.9
1-1/4"	3.3	7.3
1-1/2"	4.6	10.1
2"	7.3	16.1