



## HQ105 SERIES

Head Office: Phone: 888 (469-3557) - Fax: 866-469-3550 - Email:sales@howellvalve.com

# Howell 2-Piece Full Port Brass Ball Valve

### SPECIFICATIONS:

- Forged Brass Body
- Full Port Design
- 600 PSI WOG for 1/2" – 2"
- 400 PSI WOG for 2-1/2" – 4"
- 150 PSI Saturated Steam
- Blowout Proof Stem for Safety
- Solder Ends
- Size Range: 1/2" – 4"



### STANDARDS:

FM Approved

- FM-1140 – Quick Opening Valves (1/4 – 2")

NSF Approved

- NSF 61 Section 8 Certified

### HOW TO ORDER:

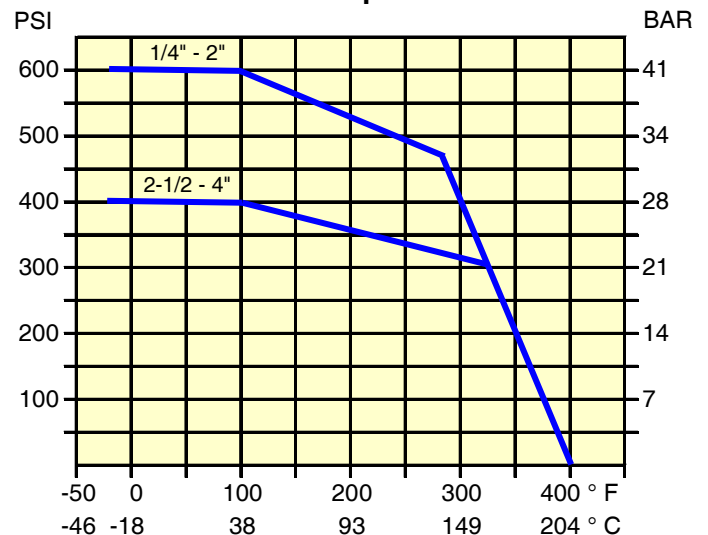
<u>Series</u>	-	<u>Body</u>	-	<u>Ends</u>	-	<u>Size</u>
HQ105		BR		CC		

Sample Description and Part# :

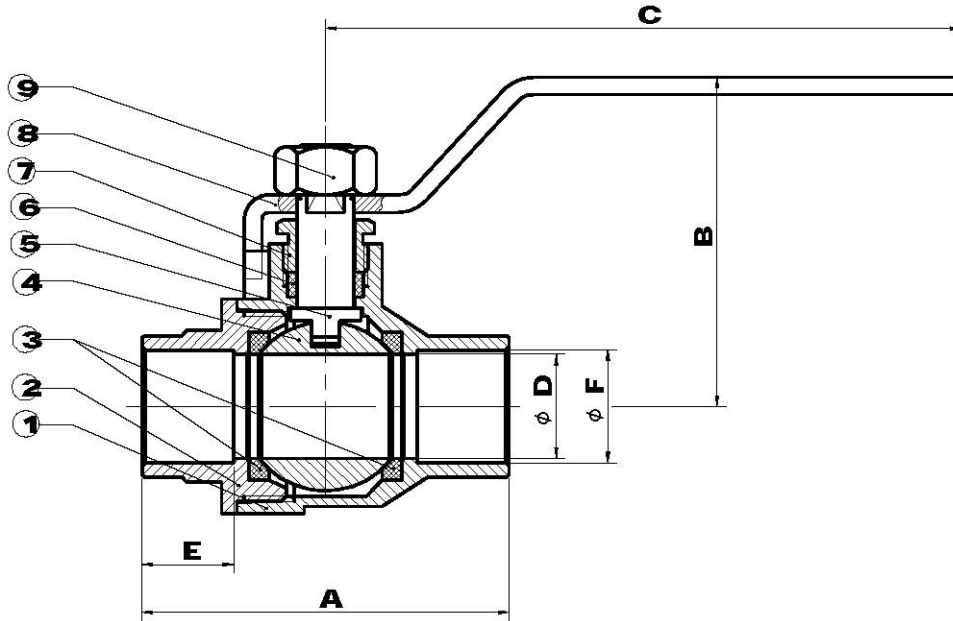
HQ105-BR-CC-112

Howell 2pc BRASS CxC BALL VALVE 1-1/2"

Pressure & Temperature Chart



*Howell reserves the right to alter design specifications without notice.*


**MATERIALS LIST:**


Item	Part	For Brass Valve	Quantity
1	Body	Forged Brass ASTM C37700	1
2	End Cap	Forged Brass ASTM C37700	1
3	Seat	PTFE	2
4	Ball	Brass ASTM C37700	1
5	Stem	Brass ASTM C37700	1
6	Stem Packing	PTFE	1
7	Gland Nut	Brass ASTM C37700	1
8	Handle	Chrome Plated Steel / Vinyl Grip	1
9	Stem Nut	Nickel Plated Steel	1

**DIMENSIONS:**

SIZE	A		B		C		D		E		F		Valve Weights	
	IN	MM	IN	MM	IN	MM	IN	MM	IN	MM	IN	MM	(KG)	(LB)
1/2"	2.05	52.0	1.84	46.7	3.54	90.0	0.58	14.8	0.51	13.0	0.63	16	0.2	0.4
3/4"	2.75	69.8	2.00	50.7	3.78	96.0	0.75	19.0	0.75	19.0	0.88	148	0.3	0.6
1"	3.23	82.0	2.44	62.0	4.53	115.0	0.95	24.0	0.87	22.0	1.13	178	0.4	1.0
1-1/4"	3.82	97.0	2.85	72.5	4.53	115.0	1.26	32.0	0.97	24.7	1.38	178	0.6	1.4
1-1/2"	4.43	112.4	3.47	88.1	5.51	140.0	1.58	40.0	1.10	27.9	1.63	41	1.0	2.2
2"	5.32	135.0	3.45	87.6	5.51	140.0	1.97	50.0	1.35	34.2	3.13	80	1.4	3.1
2-1/2"	6.28	159.6	4.76	121.0	8.66	220.0	2.52	64.0	1.48	37.5	2.63	178	3.0	6.6
3"	7.15	181.6	5.08	129.0	8.66	220.0	2.95	75.0	1.67	42.5	3.13	80	3.9	8.5
4"	9.28	235.6	5.87	149.0	9.61	244.0	3.90	99.0	2.17	55.0	4.13	105	7.6	16.7