



# Howell 2-Piece FIRESAFE Ball Valve

1-888-469-3557 · sales@howellpipe.com



**API 607 Firesafe H280F Series**

## SPECIFICATION:

- ◆ Available in Carbon Steel and Stainless Steel
- ◆ Full Port Design, 2000 PSI for 1/4" – 2", 1500 PSI for 2-1/2" – 4"
- ◆ Threaded Ends
- ◆ Blowout Proof Stem for Safety
- ◆ Anti-Static Device
- ◆ Locking Lever Handle
  - Ability to lock valve in open or closed position
- ◆ Seal Welded Body Design for Zero Leakage
- ◆ Silicone Free
- ◆ Material Traceability
- ◆ Size Range: 1/4" to 4"



### Valve Standards:

CRN Registered  
 FIRESAFE – API 607 4<sup>th</sup> Edition  
 NACE – MR0175  
 EN1024 – DIN 50-049-3.1B  
 CE Approved for Europe  
 Valve Testing – API 598, MSS SP 61

## How to Order:

Series	Body	Ends	Seat	Size
H280F	CS	IP	R-RPTFE*	
	SS		T-PTFE	

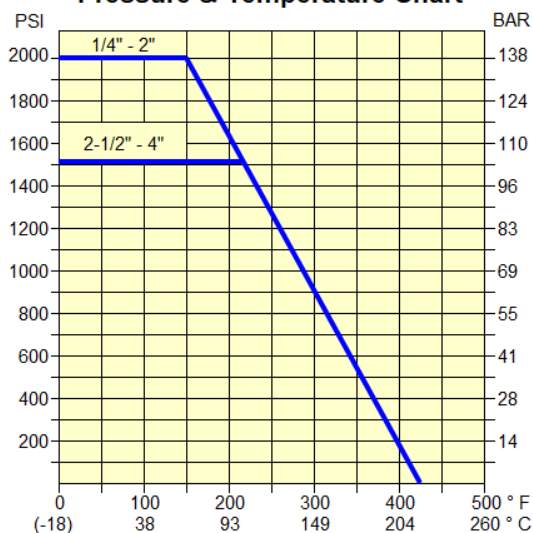
\* RPTFE Seats Standard

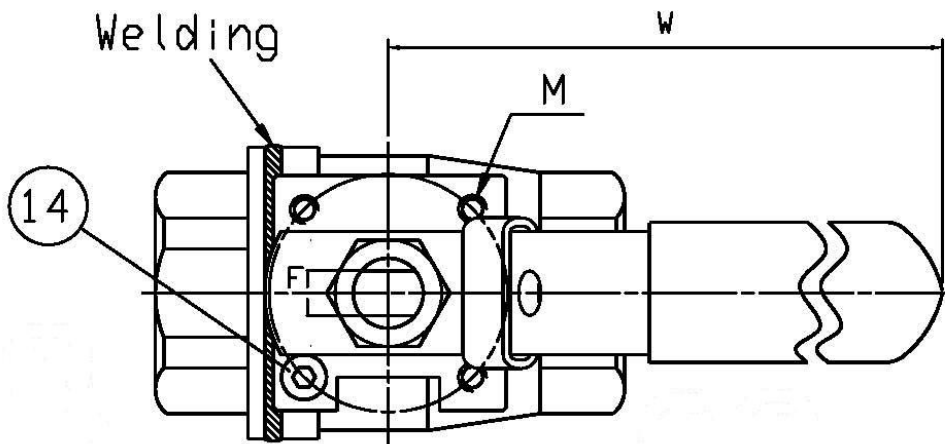
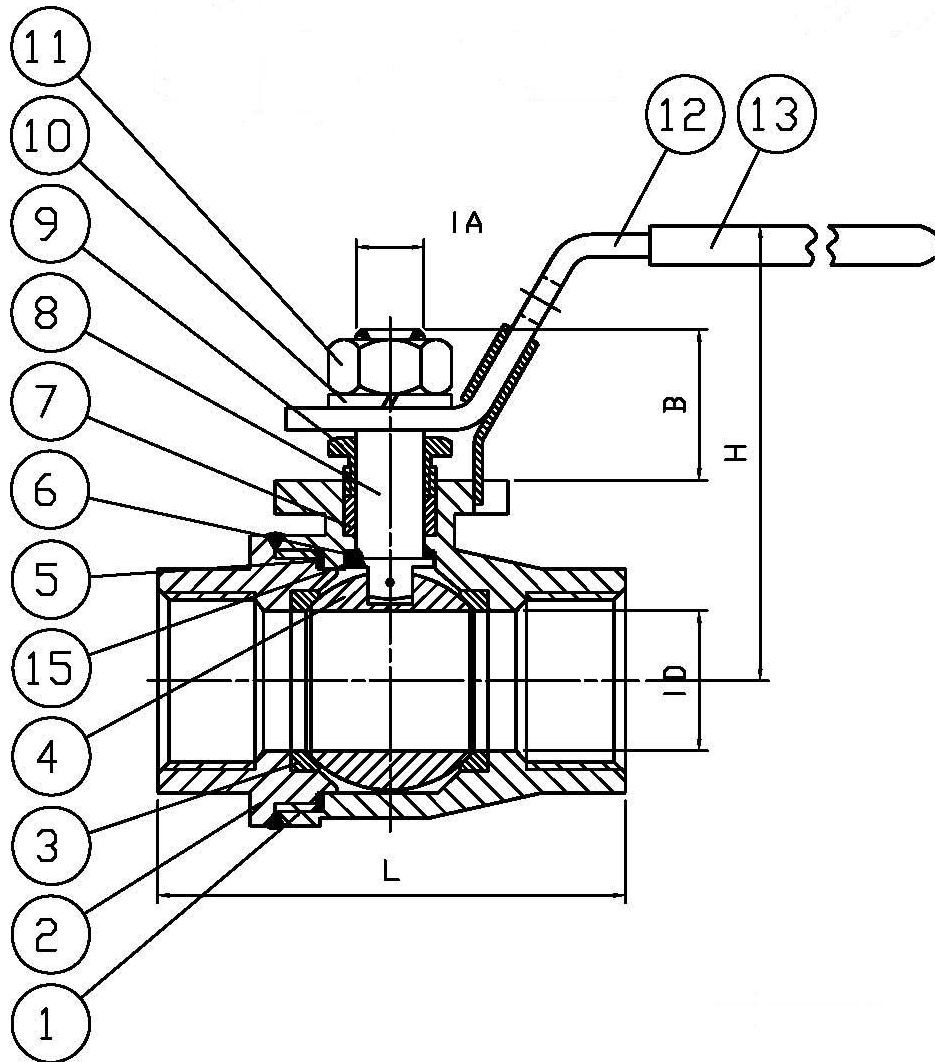
### Sample Description and Part# :

H280F-SS-IP-R-112

H280F 2PC SS IP FIRESAFE RPTFE FP BALL 1-1/2"

### Pressure & Temperature Chart



**Howell 2pc Firesafe Ball Valve** **API 607 Firesafe** H280F Series

**Howell 2pc Firesafe Ball Valve**

**MATERIALS LIST:**

Item	Part	For Stainless Steel Valve	For Carbon Steel Valve	Quantity
1	Body	ASTM A351 CF8M	ASTM A216 WCB	1
2	End Cap	ASTM A351 CF8M	ASTM A216 WCB	1
3	Seat	RPTFE	RPTFE	2
4	Ball	ASTM A351 CF8M/316	ASTM A351 CF8M/316	1
5	Gasket	Graphite	Graphite	1
6	Thrust Washer	Graphite	Graphite	1
7	Stem Packing	Graphite	Graphite	1
8	Stem	ASTM A276 316	ASTM A276 316	1
9	Packing Nut	304 SS	304 SS	1
10	Spring Washer	304 SS	304 SS	1
11	Handle Nut	304 SS	304 SS	1
12	Handle	304 SS	Zinc Plated Steel	1
13	Handle Grip	Rubber	Rubber	1
14	Stopper Nut	304 SS	Carbon Steel	1
15	Anti-Static Device	304 SS	304 SS	2

**DIMENSIONS:**

SIZE	I A		B		F		H		I D		L		M	W		ISO5211
	IN	MM	IN	MM	IN	MM	IN	MM	IN	MM	IN	MM		IN	MM	
1/4"	0.31	8.0	0.59	15.0	0.20	5.0	2.13	54.0	0.43	11.0	2.32	59.0	M5	5.31	135.0	F03
3/8"	0.31	8.0	0.59	15.0	0.20	5.0	2.13	54.0	0.49	12.5	2.32	59.0	M5	5.31	135.0	F03
1/2"	0.31	8.0	0.67	17.0	0.20	5.0	2.20	56.0	0.59	15.0	2.40	61.0	M5	5.31	135.0	F03
3/4"	0.39	10.0	0.79	20.0	0.24	6.0	2.52	64.0	0.79	20.0	2.87	73.0	M5	5.31	135.0	F03
1"	0.47	12.0	0.98	25.0	0.31	8.0	2.68	68.0	1.00	25.4	3.35	85.0	M5	6.50	165.0	F04
1-1/4"	0.47	12.0	0.98	25.0	0.31	8.0	2.91	74.0	1.26	32.0	3.82	97.0	M5	6.50	165.0	F04
1-1/2"	0.55	14.0	0.98	25.0	0.31	8.0	3.54	90.0	1.50	38.0	4.53	115.0	M6	6.89	175.0	F05
2"	0.55	14.0	0.98	25.0	0.31	8.0	3.94	100.0	1.97	50.0	5.28	134.0	M6	6.89	175.0	F05
2-1/2"	0.79	20.0	1.57	40.0	0.47	12.0	5.39	137.0	2.56	65.0	6.61	168.0	M8	10.24	260.0	F07
3"	0.79	20.0	1.57	40.0	0.47	12.0	5.79	147.0	3.15	80.0	7.52	191.0	M8	10.24	260.0	F07
4"	0.98	25.0	1.57	40.0	0.63	16.0	6.93	176.0	3.94	100.0	9.09	231.0	M10	11.02	280.0	F10

Estimated Cv Values	
Size	Cv Value
1/4"	15
3/8"	15
1/2"	15
3/4"	38
1"	65
1-1/4"	118
1-1/2"	195
2"	320
2-1/2"	410
3"	640
4"	1250

Valve Weights		
Size	(KG)	(LB)
1/4"	0.4	0.9
3/8"	0.4	0.9
1/2"	0.4	0.9
3/4"	0.6	1.3
1"	1.0	2.2
1-1/4"	1.5	3.3
1-1/2"	2.2	4.9
2"	3.8	8.4
2-1/2"	6.5	14.3
3"	11.8	26.0
4"	20.3	44.8

Howell reserves the right to alter design specifications without notice