



# Howell 2-Piece FireSafe 6000 PSI Ball Valve

1-888-469-3557 · sales@howellpipe.com

 **API 607 Firesafe** H291F Series

## SPECIFICATION:

- ◆ Stainless Steel Body (Carbon Steel available as special order)
- ◆ Full Port Design, 6000 PSI for size ¼" to 1-½", Reduced Port for size 2"
- ◆ Threaded Ends
- ◆ Blowout Proof Stem for Safety
- ◆ Pneumatic and Electric Automated Valve Assemblies Available
- ◆ Anti-Static Device
- ◆ Locking Lever Handle
- ◆ Ability to lock valve in open or closed position
- ◆ Silicone Free
- ◆ Material Traceability
- ◆ Size Range: ¼" to 2"



### Valve Standards:

FIRESAFE – API 607 5th Edition

NACE – MR0175

EN1024 – DIN 50-049-3.1B

Approved for Europe

Valve Testing – API 598, MSS SP 61

## How to Order:

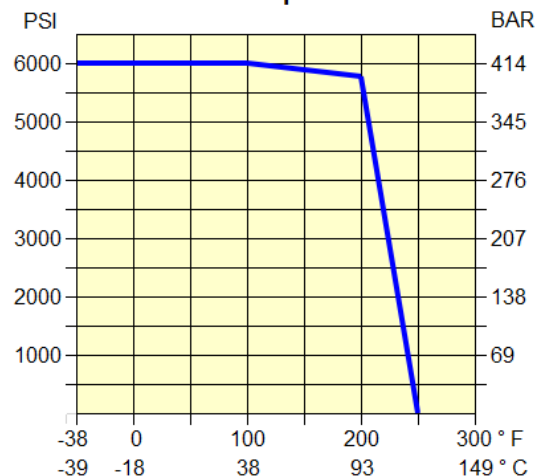
Series	Body	Ends	Seat	Size
H291F	SS	IP	D - DELRIN	

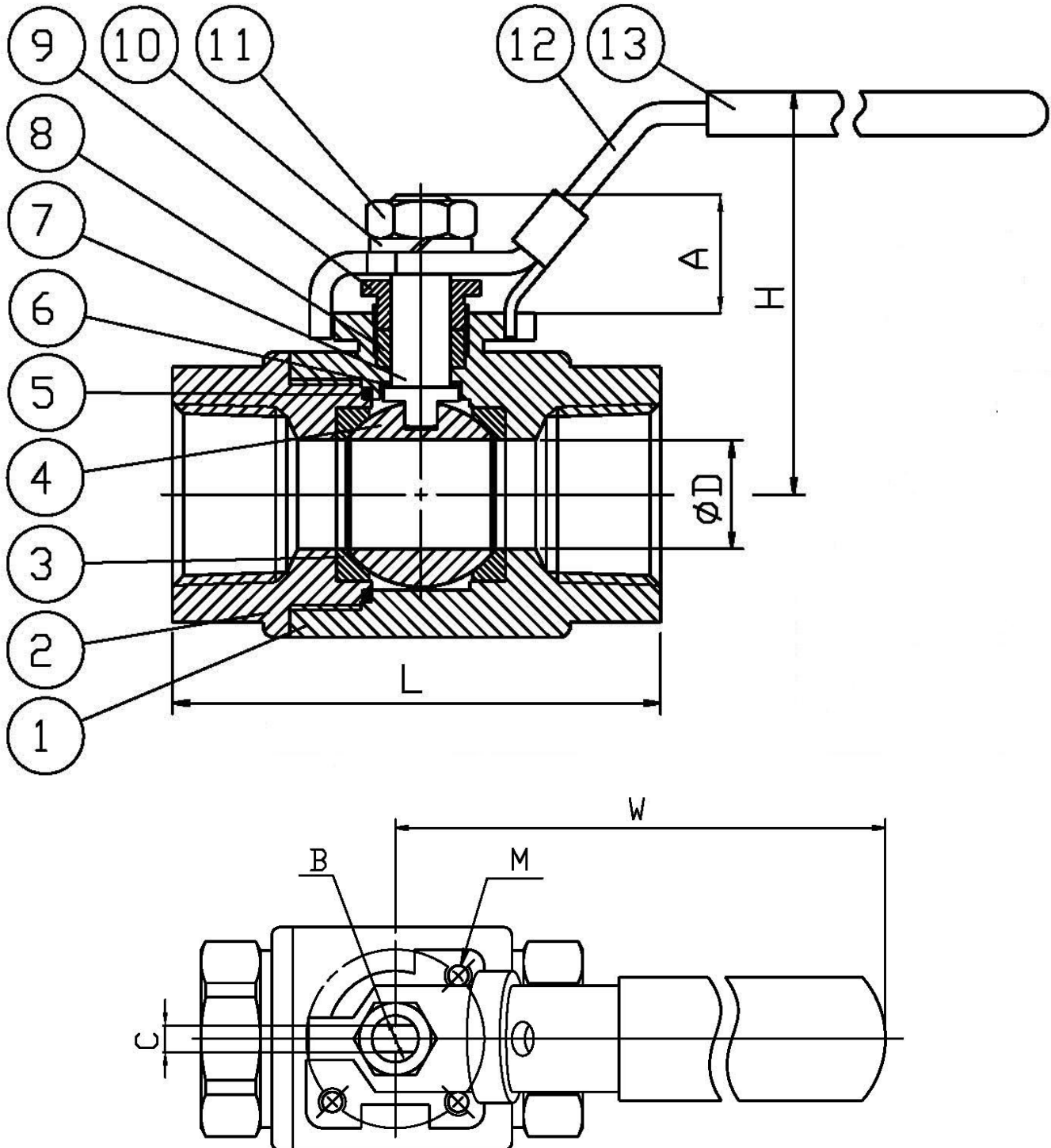
### Sample Description and Part# :

H291F-SS-IP-D-1

H291F 2PC SS 6M FIRESAFE IP DELRIN FP BALL 1"

### Pressure & Temperature Chart



**Howell 2-Piece FireSafe 6000 PSI Ball Valve****H291F Series** **API 607 Firesafe**

*Howell reserves the right to alter design specifications without notice*

**Howell 2-Piece FireSafe 6000 PSI Ball Valve**
**H291F Series**

**MATERIALS LIST:**

Item	Part	For Stainless Steel Valve	For Carbon Steel Valve	Quantity
1	Body	ASTM A351 CF8M	ASTM A216 WCB	1
2	End Cap	ASTM A351 CF8M	ASTM A216 WCB	1
3	Seat	DELTRIN	DELTRIN	2
4	Ball	ASTM A351 CF8M/316	ASTM A351 CF8/304	1
5-1	Thrust Washer	PTFE	PTFE	1
5-2	Thrust Washer	Graphite	Graphite	1
6	Body Gasket	Graphite	Graphite	1
7	Stem	ASTM A276 316	ASTM A276 304	1
8	Stem Packing	Graphite	Graphite	1
9	Gland Bushing	304 SS	304 SS	1
10	Spring Washer	304 SS	304 SS	1
11	Handle Nut	304 SS	304 SS	1
12	Handle	304 SS	304 SS	1
13	Handle Sleeve	Vinyl	Vinyl	1

**DIMENSIONS:**

SIZE	A		B		C		øD		H		L		M	W		ISO5211 (F)
	IN	MM	IN	MM	IN	MM	IN	MM	IN	MM	IN	MM		IN	MM	
1/4"	0.59	15.0	0.39	10.0	0.24	6.0	0.25	6.4	1.92	48.8	3.00	76.2	3 x M5	5.00	127	F03
1/2"	0.59	15.0	0.39	10.0	0.24	6.0	0.50	12.7	1.92	48.8	4.00	101.6	3 x M5	5.00	127	F03
3/4"	0.79	20.0	0.47	12.0	0.32	8.0	0.75	19.1	2.56	65.0	4.25	108.0	3 x M5	5.83	148	F04
1"	0.91	23.0	0.55	14.0	0.32	8.0	1.00	25.4	3.45	87.6	4.50	114.3	3 x M6	7.00	178	F05
1-1/2"	1.22	31.0	0.75	19.0	0.47	12.0	1.50	38.1	4.13	104.9	5.25	133.4	3 x M8	9.92	252	F07
2"	1.22	31.0	0.75	19.0	0.47	12.0	1.50	38.1	4.13	104.9	6.25	158.8	3 x M8	9.92	252	F07

Break Away Torques	
Size	(in/lbs)
1/4"	80
1/2"	100
3/4"	120
1"	160
1-1/2"	360
2"	360

Estimated Cv Values	
Size	Cv Value
1/4"	5
1/2"	19
3/4"	35
1"	50
1-1/2"	180
2"	210

Valve Weights		
Size	(KG)	(LB)
1/4"	0.6	1.3
1/2"	0.9	2.0
3/4"	1.5	3.3
1"	2.5	5.5
1-1/2"	6.0	13.2
2"	7.5	16.5